

®

Mi-T-M[®] CORPORATION

8650 Enterprise Drive, Peosta IA 52068
563-556-7484 / Fax 563-556-1235

PARTS LIST FOR

CA-2403-0MHB

CA-2403-0MRB

ENGINE OIL GRADE:

SAE10W-30

ENGINE OIL CAPACITY:

20 oz.

PUMP OIL GRADE:

Mi-T-M PUMP OIL #AW-4085-0016

PUMP OIL CAPACITY:

14 oz.

NOZZLE SIZE:

3.0

This Parts Listing has been compiled for your benefit. You can be assured your Mi-T-M Cold Water Pressure Washer was constructed and designed with quality and performance in mind using over 25 years experience in the pressure washer business. Each component has been rigorously tested to insure the highest level of acceptance.

The contents of this Parts Listing are based on the latest product information available at the time of publication. Mi-T-M reserves the right to make changes in price, color, materials, equipment, specifications or models at any time without notice.

WARNING

THIS IS A PROFESSIONAL HIGH PRESSURE, COLD WATER PRESSURE WASHER. CAUTION SHOULD BE OBSERVED WHEN USING OR REPAIRING THIS UNIT! READ AND FOLLOW THE SAFETY WARNINGS LISTED BELOW BEFORE ATTEMPTING ANY REPAIRS ON THIS PRESSURE WASHER!

SAFETY WARNINGS

1. NEVER alter or modify the equipment. Be sure any accessory items and system components being used will withstand the pressure developed. Use only genuine Mi-T-M parts for repair of your pressure washer. Failure to do so can cause hazardous operating conditions and will VOID warranty.
2. NEVER make adjustments on machinery while the unit is connected to the engine without first removing the ignition cable from the spark plug. Turning over the machinery by hand during adjustment or cleaning might start the engine and machinery with it, causing serious injury to the operator.
3. Know how to stop and bleed pressures quickly. Be thoroughly familiar with controls.
4. Before servicing the unit, turn unit off, relieve the water pressure and allow the unit to cool down. Do not make repairs while the unit is running. Service in a clean, dry, flat area. Block the wheels to prevent the unit from moving. Be especially careful to properly dispose of any flammable materials.
5. After testing the machine, DO NOT leave the pressurized unit unattended. Shut off the unit and release trapped pressure before leaving.

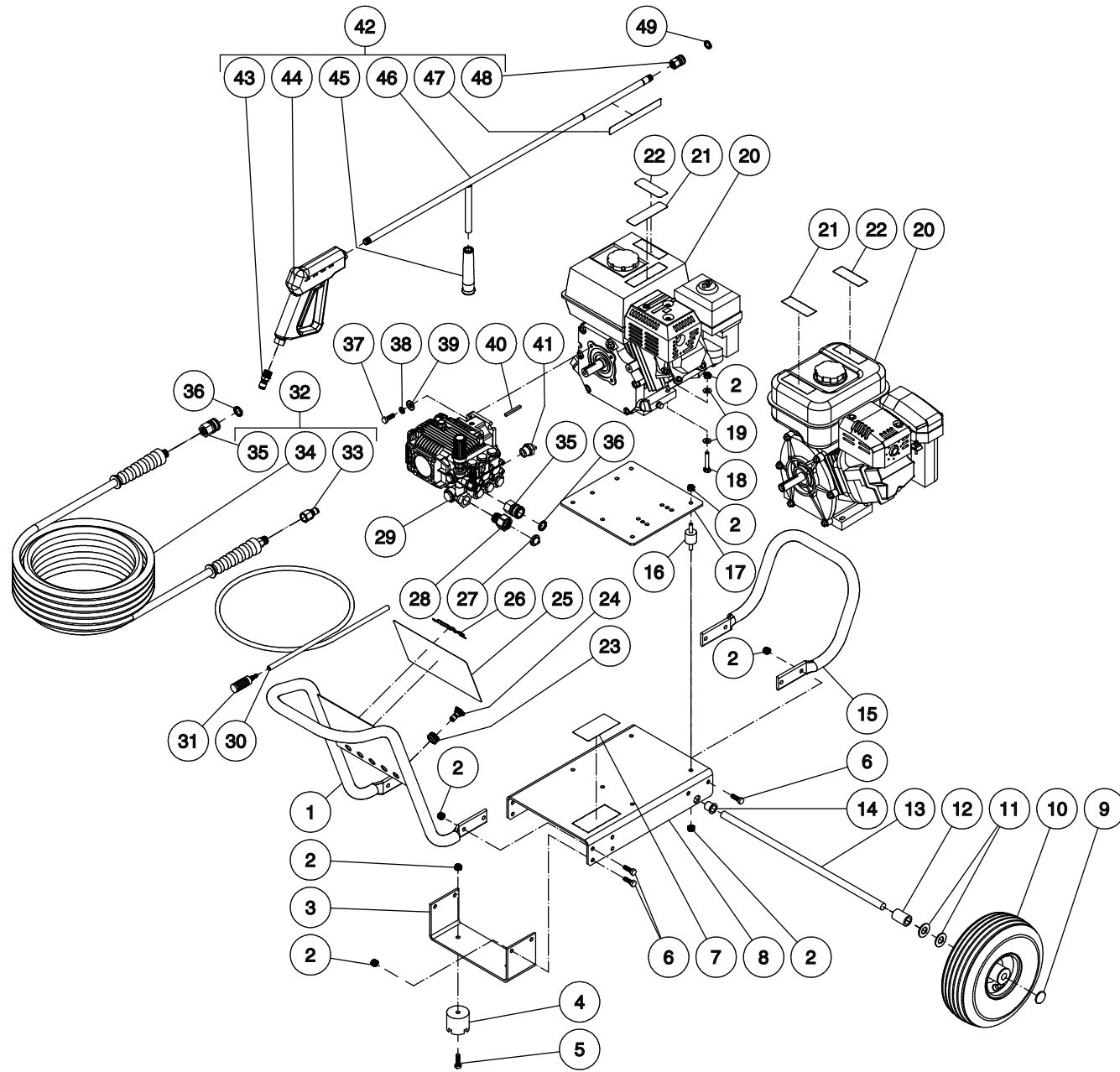
Table of Contents

SPECIFICATIONS.....	3
FRAME ASSEMBLY FOR CA-2403-0MHB/RB.....	4
PUMP ASSEMBLY (3-0146)	6
UNLOADER ASSEMBLY (8-0515)	8
GUN ASSEMBLY (16-0001)	10

SPECIFICATIONS

MODEL NUMBER	CA-2403-0MHB	CA-2403-0MRB
Operating Pressure (PSI/Bar):	2400/165.5	
High Pressure Nozzle:	3.0	
Water Volume (GPM/lpm):	2.4/9	
Engine:	Honda	Subaru
Horsepower	5.5	6.0
Engine Type	4 Stroke, Overhead Valve, Single Cylinder	
Oil Type	SAE 10W-30	
Oil Capacity (oz./liters)	20/.6	
Low Oil Protection	Oil Alert™	Low Oil Shutdown
Fuel Type	Unleaded Gasoline 86 Octane Minimum	
Fuel Capacity (gallon/ liters)	.95/3.6	
Starting	Recoil	
Maximum No Load RPM	3600 (+/- 100) RPM	
Pump:	Direct Driven, Oil Bath, Triplex Piston	
Oil Type	Mi-T-M Pump Oil #AW-4085-0016	
Oil Capacity (oz./liters)	14/.4	
Plungers	Ceramic	
Manifold	Forged Brass	
Valves	Stainless Steel	
Unloader	Adjustable	
Thermal Relief Valve	Relieves heated water during unloader bypass stage	
Detergent Injector	Adjustable low pressure down stream from pump	
Unit Net Weight (lbs/Kg)	76/34.5	
Unit Shipping Weight (lbs/Kg)	103/47	
Unit Net Dimension (in/cm)	39Lx20.5Wx24.5H/99Lx52Wx62H	
Unit Shipping Dimension (in/cm)	30.5Lx21.5Wx27H/77.5Lx55Wx68.5H	

FRAME ASSEMBLY FOR CA-2403-0MHB/RB

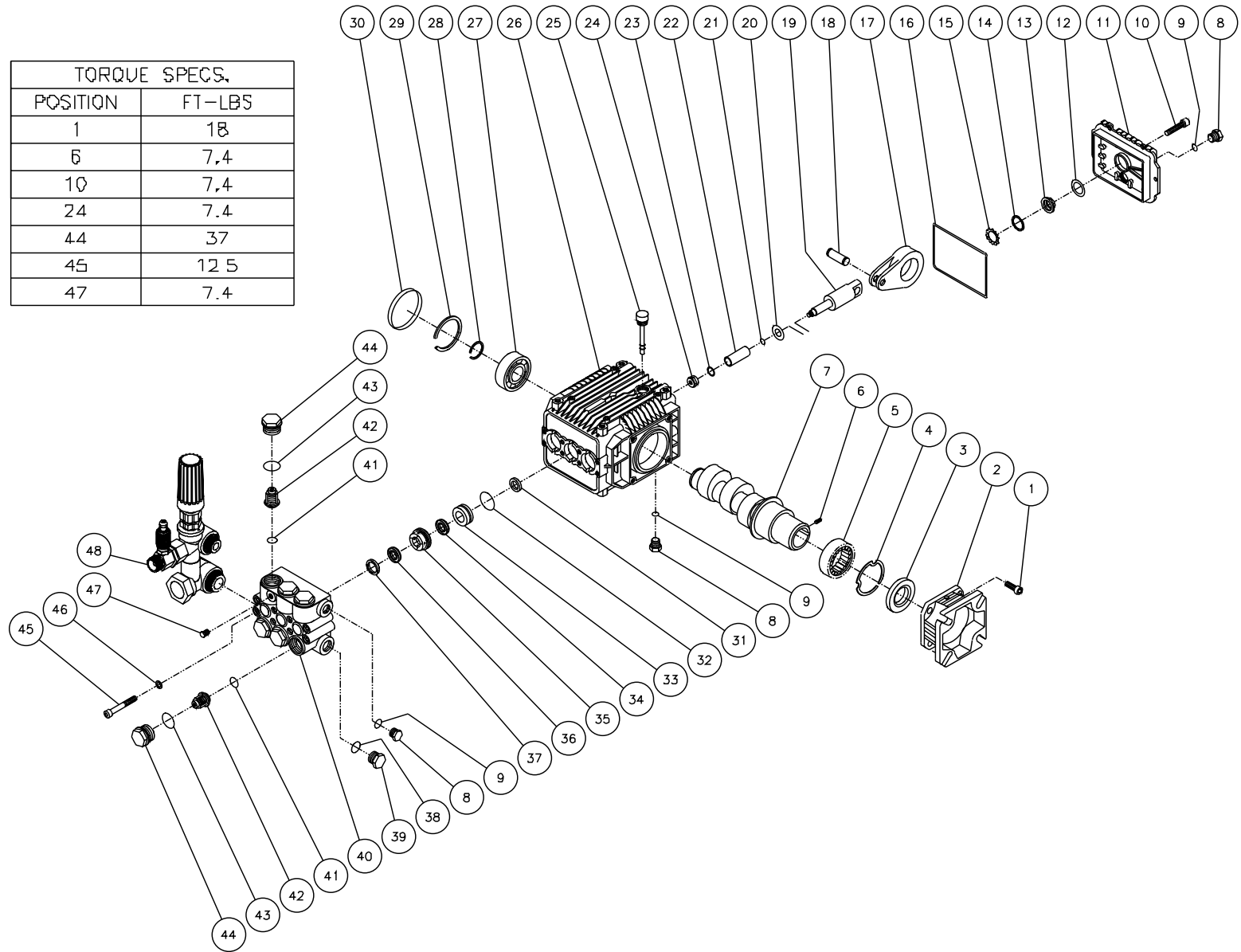


CA-2403-0MHB/RB-080404-DLG

FRAME ASSEMBLY FOR CA-2403-0MHB/RB							
REF. #	DESCRIPTION	PART #	QTY.	REF. #	DESCRIPTION	PART #	QTY.
1	Front Handle Assembly	7-0182	1	25	Decal- Warning/Caution/Operation (See 34-9014)	N/A Sep.	1
2	Locknut	30-0157	26	26	Decal- 2400 Die Cut	34-0772	1
3	Support Bracket	56-0054	1	27	Inlet Filter Washer w/ Screen	19-0001	1
4	Isolator	14-0008	2	28	Garden Hose Swivel	23-0095	1
5	Bolt	27-0068	2	29	Pump	3-0146	1
6	Bolt	27-0067	12	30	Detergent Hose *(Four Feet Required)	15-0021	1
7	Decal- Data Plate	N/A	1	31	Strainer	19-0050	1
8	Baseplate	5-0206	1	32	Pressure Hose Assembly (Inc. 33-35)	851-0007	1
9	Hub Cap	33-0018	2	33	Quick Connect Plug	17-0006	1
10	Wheel	14-0017	2	34	Hose	15-0003	1
11	Washer	28-0008	4	35	Quick Connect Socket	17-0004	2
12	Axle Spacer	62-0176	2	36	O-ring	25-0123	2
13	Axle	20-0518	1	37	Bolt	27-0092	4
14	Bushing	62-0175	2	38	Lockwasher	29-0007	4
15	Rear Handle	7-0183	1	39	Washer	28-0022	4
16	Vibration Isolator	14-0096	4	40	Key	43-0073	1
17	Isolation Plate	56-0052	1	41	Thermal Relief Valve	22-0005	1
18	Screw	27-0070	4	42	Gun/Wand Assembly (Inc. 43-48)	851-0095	1
19	Washer	28-0003	8	43	Quick Connect Plug	17-0005	1
20	Engine- 5.5 HP Honda	1-0013	1	44	Trigger Gun	16-0001	1
-	Engine- 6.0 HP Subaru	1-0132	1	45	Wand Grip	7-0002	1
21	Decal- Warning: Risk of Burns (See 34-9014)	N/A Sep.	1	46	Wand w/Handle	16-0120A01	1
22	Decal- Caution: Risk of Fire (See 34-9014)	N/A Sep.	1	47	Decal- Warning: Risk of Injection (See 34-9014)	N/A Sep.	1
23	Grommet	33-0001	5	48	Quick Connect Socket	17-0001	1
24	Nozzle- 0003	18-0302	1	49	O-ring	25-0122	1
-	Nozzle- 1503	18-0150	1		Decal Kit (Inc. 21-22, 25, 47)	34-9014	
-	Nozzle- 2503	18-0303	1	*Must Order in One Foot Lengths			
-	Nozzle- 6540	18-0148	1				

PUMP ASSEMBLY (3-0146)

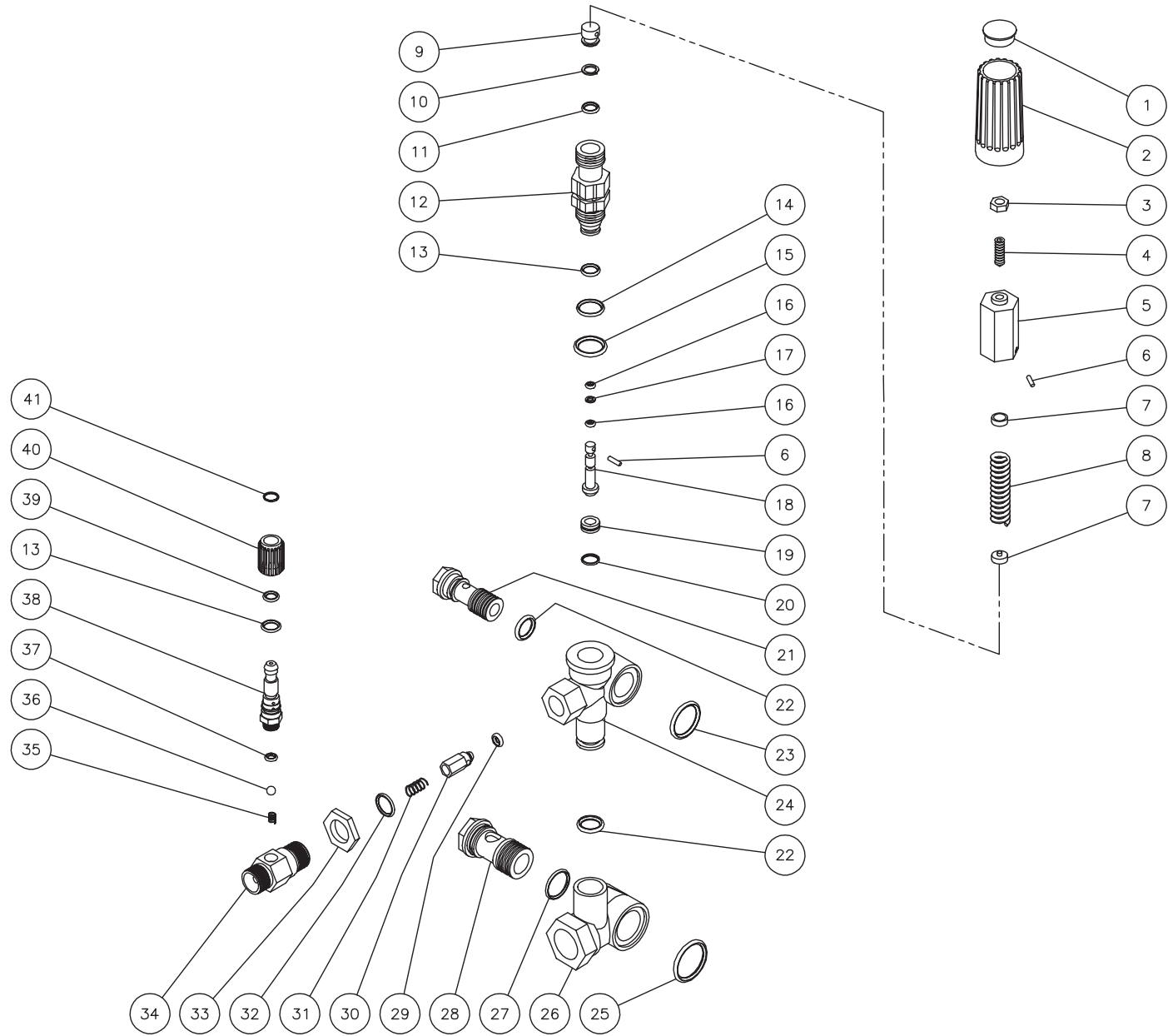
TORQUE SPECS.	
POSITION	FT-LBS
1	18
6	7.4
10	7.4
24	7.4
44	37
45	12.5
47	7.4



3-0146-060303-DLG

PUMP ASSEMBLY (3-0146)							
REF. #	DESCRIPTION	PART #	QTY.	REF. #	DESCRIPTION	PART #	QTY.
1	Bolt	27-8432	4	27	Bearing	48-0063	1
2	Flange	46-0715	1	28	Retaining Ring	46-0732	1
3	Oil Seal	26-0192	1	29	Retaining Ring	46-0676	1
4	Retaining Ring	46-0667	1	30	Bearing Cap	46-0725	1
5	Needle Bearing	48-0059	1	31	Oil Seal	26-0193	3
6	Set Screw	27-8886	1	32	O-ring	25-0399	3
7	Crankshaft	46-0718	1	33	Low Pressure Retainer	46-0726	3
8	Plug	39-0086	3	34	Low Pressure Seal (See 70-0181)	N/A Sep.	3
9	O-ring	25-0325	4	35	Packing Retainer	46-0728	3
10	Bolt	27-8888	6	36	V-Packing (See 70-0181)	N/A Sep.	3
11	Crankcase Cover	46-0719	1	37	Support Ring (See 70-0182)	N/A Sep.	3
12	O-ring	25-0370	2	38	O-ring	25-0372	1
13	Oil Sight Glass	46-0670	1	39	Plug	39-0088	1
14	Reflector	46-0824	1	40	Manifold	46-0730	1
15	Retainer	46-0671	1	41	O-ring	25-0386	7
16	O-ring	25-0398	1	42	Single Valve Assy. (See 70-0161)	N/A Sep.	6
17	Connecting Rod	46-0720	3	43	O-ring	25-0160	6
18	Piston Pin	46-0721	3	44	Valve Cap	39-0087	6
19	Plunger Rod	46-0722	3	45	Bolt	27-8875	8
20	Slinger Washer	28-1027	3	46	Lockwasher	29-0153	8
21	O-ring	25-0371	6	47	Plug	39-0097	1
22	Piston	46-0723	3	48	Unloader w/Detergent Injector	8-0515	1
23	Washer	26-0187	3		High Pressure Seal Kit (Inc. 3 each 32, 34, 36)	70-0181	
24	Nut	30-6016	3		Support Ring Kit (Includes 3 each 37)	70-0182	
25	Oil Dipstick	39-0090	1		Valve Kit (Includes 6 each 41-42)	70-0161	
26	Crankcase	46-0724	1				

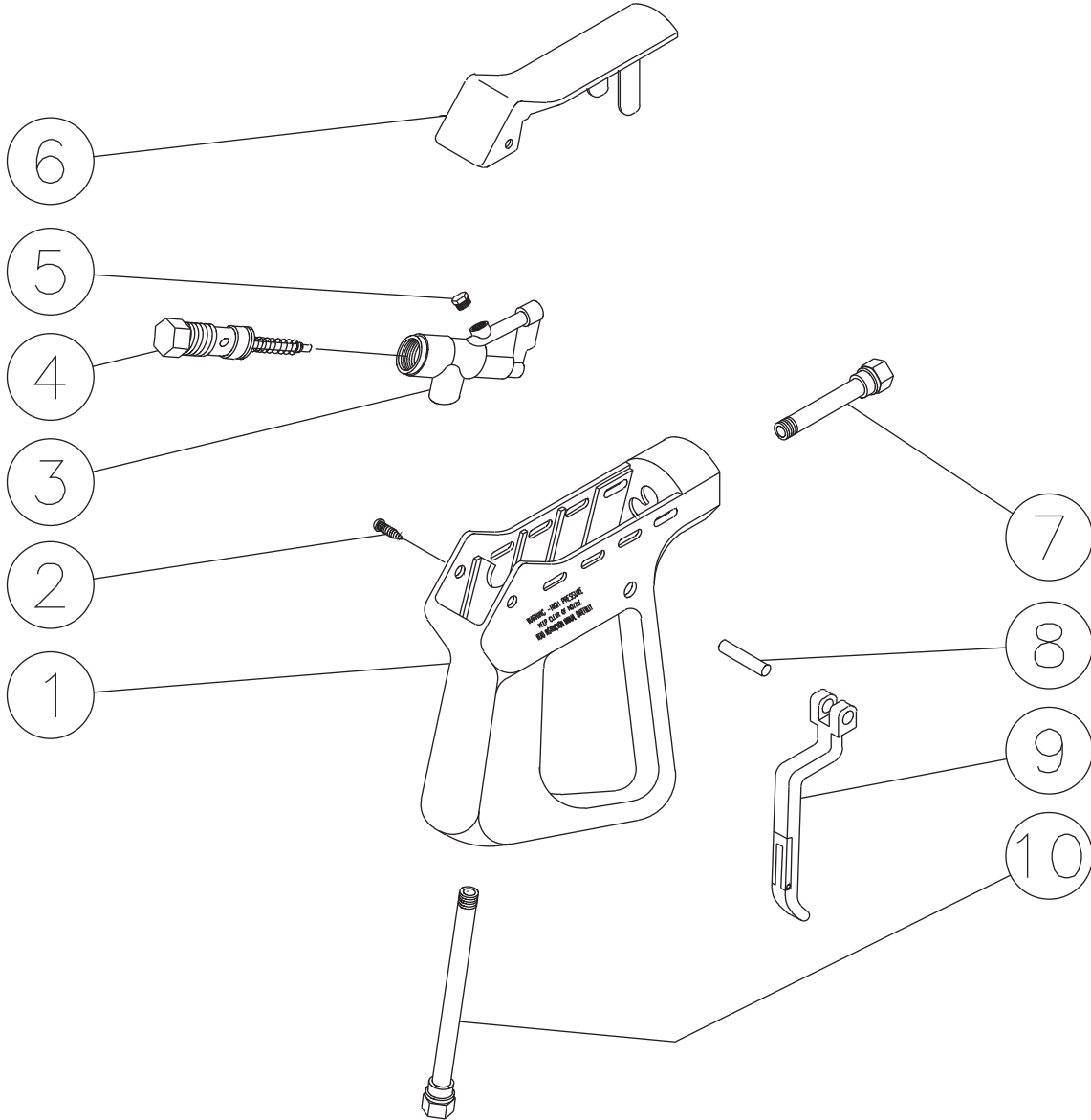
UNLOADER ASSEMBLY (8-0515)



8-0515-052604-DLG

UNLOADER ASSEMBLY (8-0515)							
REF. #	DESCRIPTION	PART #	QTY.	REF. #	DESCRIPTION	PART #	QTY.
1	Knob Plug	7-0178	1	23	O-ring	25-0370	1
2	Unloader Knob	7-0179	1	24	Valve Housing	N/A	1
3	Nut	30-6024	1	25	O-ring	25-0519	1
4	Set Screw	N/A	1	26	By-pass Housing	N/A	1
5	Knob Insert	8-0500	1	27	O-ring	25-0389	1
6	Pin	8-0477	2	28	Bolt	8-0517	1
7	Spring Button	8-0501	2	29	O-ring	25-0406	1
8	Spring	49-0119	1	30	Check Valve	8-0518	1
9	Upper Piston	N/A	1	31	Unloader Check Valve Spring	49-0124	1
10	Back-up Ring	25-0404	1	32	O-ring	25-0407	1
11	O-ring (See 70-0336)	N/A Sep.	1	33	Nut (See 70-0338)	N/A Sep.	1
12	Piston Guide	8-0502	1	34	Chemical Injector Body (See 70-0338)	N/A Sep.	1
13	O-ring	25-0403	2	35	Spring	8-0520	1
14	O-ring	25-0510	1	36	Ball	8-0521	1
15	O-ring	25-0386	1	37	O-ring	25-0371	1
16	O-ring (See 70-0366)	N/A Sep.	2	38	Chemical Injector Hose Barb	8-0499	1
17	Back-up Ring	25-0408	1	39	O-ring (See 70-0338)	N/A Sep.	1
18	Piston	8-0413	1	40	Detergent Regulator Knob (See 70-0338)	N/A Sep.	1
19	Valve Seat	8-0503	1	41	O-ring (See 70-0338)	N/A Sep.	1
20	O-ring (See 70-0366)	N/A Sep.	1		O-ring Repair Kit (Inc. 10-11, 13-17, 20, 22-23, 25, 29, 32, 37)	70-0336	
21	Bolt	8-0516	1		Complete Injector (Inc. 13, 33-41)	70-0338	
22	O-ring	25-0388	2		Injector Repair Kit (Inc. 35-37)	852-0158	

GUN ASSEMBLY (16-0001)



16-0001-110399-RD

GUN ASSEMBLY (16-0001)			
REF. #	DESCRIPTION	PART #	QTY.
1	Plastic Housing	16-0008	1
2	Screw	27-3230	2
3	Brass Housing	16-0012	1
4	Gun Repair Kit	70-0055	1
5	Brass Plug	39-0024	1
6	Plastic Cover	16-0009	1
7	Pipe Assembly	16-0013	1
8	Trigger Pin	16-0063	1
9	Trigger/Safety Lock-off	16-0010	1
10	Pipe Assembly- Inlet	16-0016	1
	Complete Gun Assembly	16-0001	1

